



## Overview

### Size (mm)

External Frame 874 x 2053 / 974 x 2053

Door Leaf Sizes 820 x 2040 / 920 x 2040

COLORBOND® Options Surfmist White

Fixing/Installation Pre-drilled holes with screws to fix to RHS frame

## Standard Duty Side Door for Shipping Container

Our Standard Duty Container Doors are designed specifically for the container modification industry. They are supplied as with a high quality flush handle and finished with a heavy duty polyester powder coat in a range of COLORBOND® options, ready for installation.

These doors are pre-hung in the frame ready to face fix install in an RHS frame making them easy to install.

**CERTIFIED TO THE CYCLONIC REGION D AUSTRALIAN STANDARD (AS/NZS 1170.2:2011).**



## Door Leaf

Door Depth 35mm Thickness

Material & Gauge 0.8mm galvanised steel

Insulation High Density Polyurethane Foam Insulation

## Door Frame

Frame Depth 80mm Depth

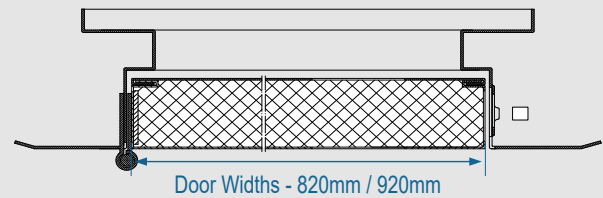
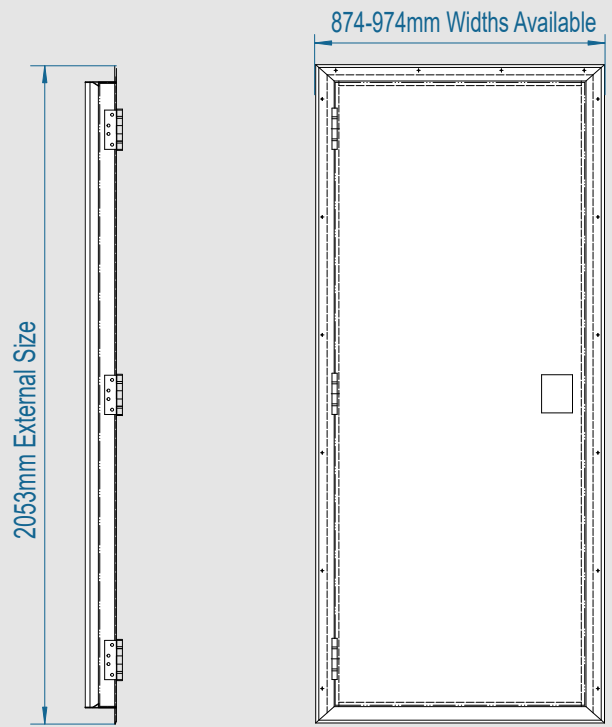
Material & Gauge 1.4 mm Galvanised steel

## Hinge

Hinge Qty & Type 3 Stainless Steel Butt Hinges

## Lock

Main Lock Flush Lock

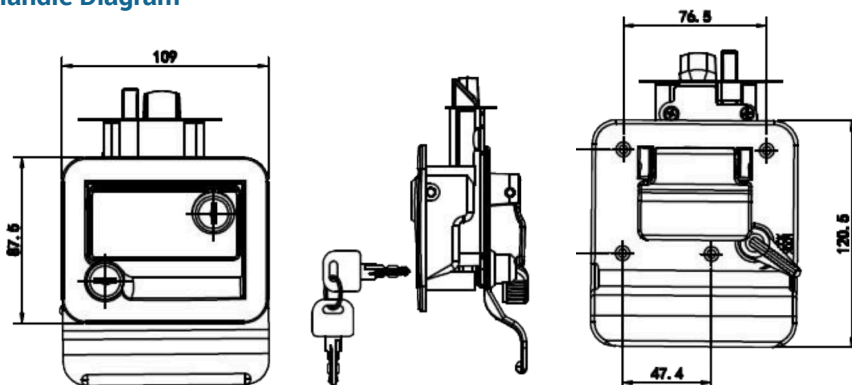


Our Standard Duty Container Doors are made of 0.8mm galvanised steel door skins and 1.4mm galvanised frames, and they come with three stainless steel ball-bearing hinges. Polyurethane foam (also known as PU foam) is injected into the door leaf for increased insulation and rigidity, and 3 stainless steel butt hinges hold the leaf in the frame.

These doors are built to last and come with weather and draught-proof seals as standard. We've also added flush handles to make suitable for container stacking.

The increased rigidity and overall strength of our standard container door has contributed to a successful Cyclonic Region D Rating (AS/NZS 1170.2:2011).

## Flush Handle Diagram



Surfmist White



For more information please visit our website:  
[www.lathamsteeldoors.com.au](http://www.lathamsteeldoors.com.au) or give us a call on +61 415 310 911