

## Overview

### Size (mm)

External Frame 874 x 2053 / 974 x 2053

Door Leaf Sizes 820 x 2040 / 920 x 2040

COLORBOND® Options Surfmist White  
Pale Eucalypt  
Shale Grey

Fixing/Installation Pre-drilled holes with  
screws to fix to RHS  
frame

## Standard Duty Steel Personal Access Door

Our Standard Duty Steel Personal Access Doors are designed specifically for the outdoor structures. They are supplied as with a high quality flush handle and finished with a heavy duty polyester powder coat in a range of COLORBOND® options, ready for installation.

These doors are pre-hung in the frame ready to face fix install in an RHS frame making them easy to install.

**CERTIFIED TO THE CYCLONIC REGION D AUSTRALIAN STANDARD (AS/NZS 1170.2:2011).**



### Door Leaf

Door Depth	35mm Thickness
Material & Gauge	0.8mm galvanised steel
Insulation	High Density Polyurethane Foam Insulation

### Door Frame

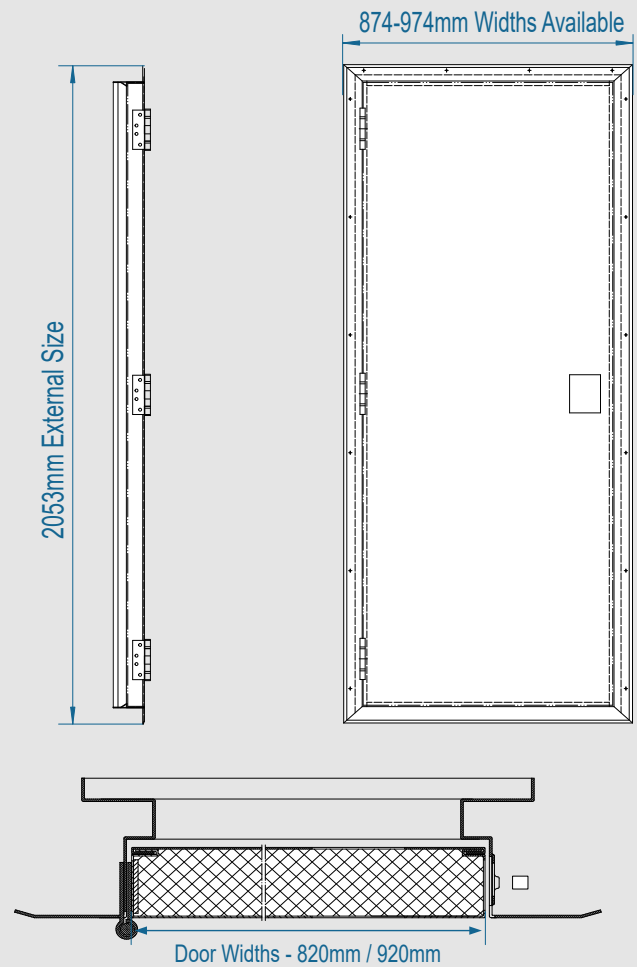
Frame Depth	80mm Depth
Material & Gauge	1.4 mm Galvanised steel

### Hinge

Hinge Qty & Type	3 Stainless Steel Butt Hinges
------------------	-------------------------------

### Lock

Main Lock	Flush Lock
-----------	------------

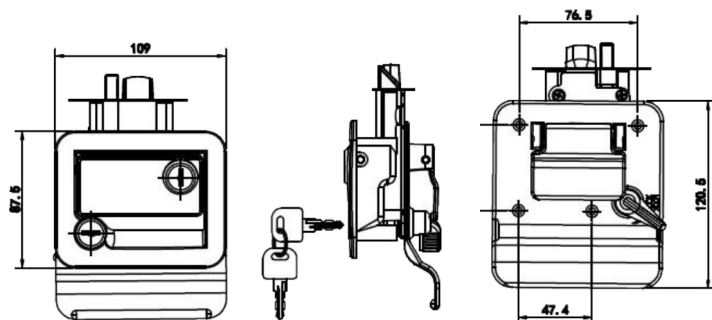


Our Standard Duty Steel Personal Access Doors are made of 0.8mm galvanised steel door skins and 1.4mm galvanised frames, and they come with three stainless steel ball-bearing hinges. Polyurethane foam (also known as PU foam) is injected into the door leaf for increased insulation and rigidity, and 3 stainless steel butt hinges hold the leaf in the frame.

These doors are built to last and come with weather and draught-proof seals as standard, it also is pre-installed with a flush lock.

The increased rigidity and overall strength of our shed door has contributed to a successful Cyclonic Region D Rating (AS/NZS 1170.2:2011).

### Flush Handle Diagram



For more information please visit our website: [www.lathamsteeldoors.com.au](http://www.lathamsteeldoors.com.au) or give us a call on +61 415 310 911