



Overview

Size (mm)

External Frame 874 x 2053 / 974 x 2053

Hatch Leaf Sizes 820 x 2040 / 920 x 2040

COLORBOND® Options Surfmist White

Fixing/Installation Pre-drilled holes with screws to fix to RHS frame

Container Wall Hatch

Our Container Wall Hatch is the perfect option if you are converting a container to serve customers. Our wall hatch units are supplied pre-hung in their frame ready to fit, and suitable for use in container conversions, site offices and modular buildings.

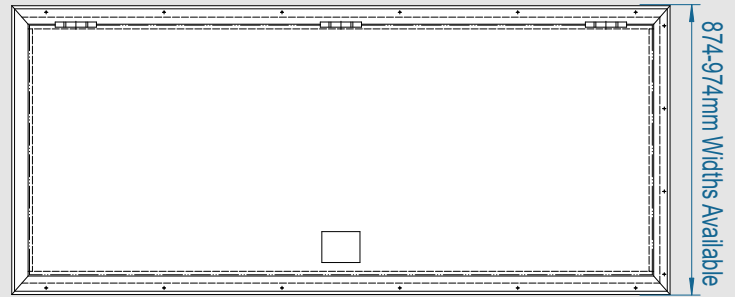
Available in Surfmist White from stock, these hatches are also suitable for painting once installed if required.

CERTIFIED TO THE CYCLONIC REGION D AUSTRALIAN STANDARD (AS/NZS 1170.2:2011).



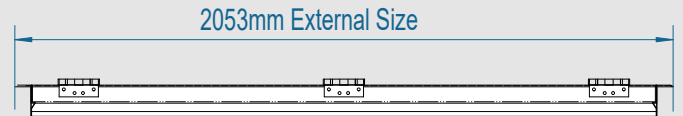
Door Leaf

Door Depth	35mm Thickness
Material & Gauge	0.8mm galvanised steel
Insulation	High Density Polyurethane Foam Insulation



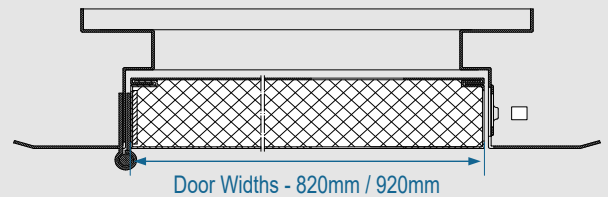
Door Frame

Frame Depth	80mm Depth
Material & Gauge	1.4 mm Galvanised Steel



Hinge

Hinge Qty & Type	3 Stainless Steel Butt Hinges
------------------	-------------------------------



Lock

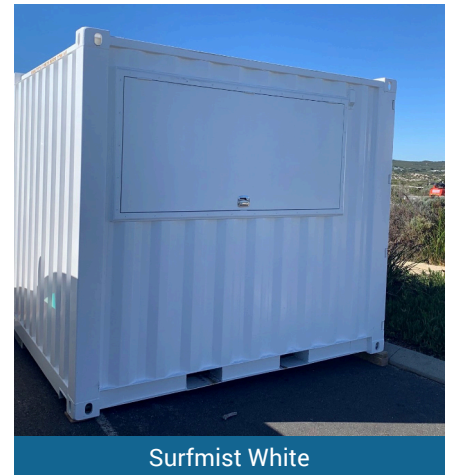
Main Lock	Flush Lock
-----------	------------

Our Container Wall Hatch is easy to fit hatches perfect for shipping container modifications. Made from galvanised steel and pre-hung in their frame, they are ready to face fix install in an RHS frame.

2 high quality gas struts are supplied to hold the hatch up, allowing for easy opening and closing at the end of the day.

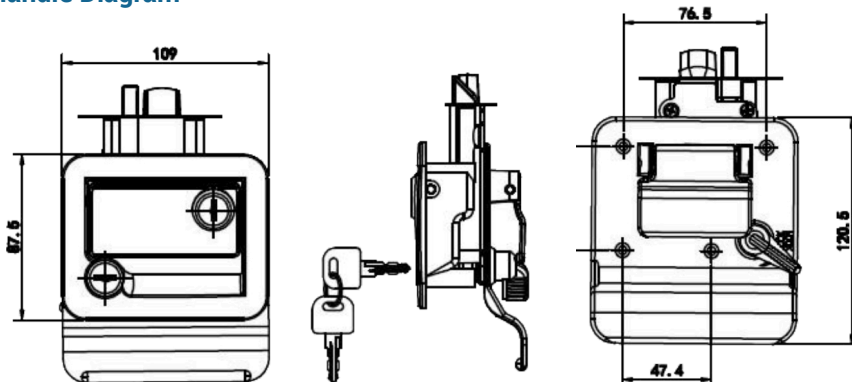
These hatches are supplied with a flush lock pre-fitted, and is available in Surfmist White from stock. These hatches are suitable for painting once installed if required.

PLEASE NOTE: Struts are supplied loose and will need fitting during install.



Surfmist White

Flush Handle Diagram



For more information please visit our website:
www.lathamsteeldoors.com.au or give us a call on +61 415 310 911